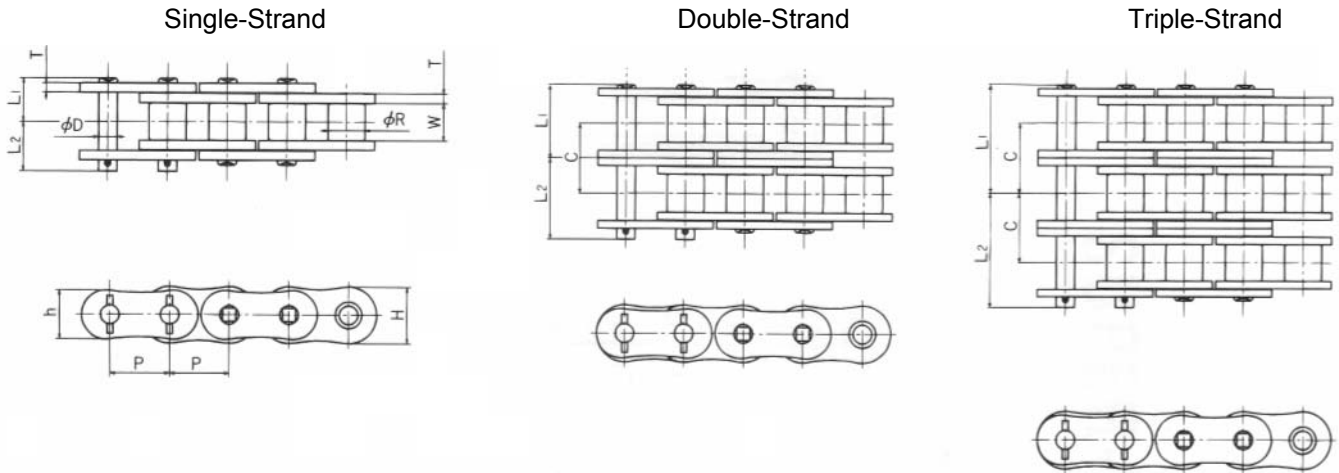


SUPER-H SERIES



(Dimensions in mm)

TSUBAKI Chain No.	Pitch p	Roller Diam. R	Width b/w Roller Link Plates W	Link			Pin			Transverse Pitch C	Ave Tensile Strength kN(kgf)	Max. Allowable Load kN(kgf)	Approx. Mass kg/m
				T	H	h	D	L1	L2				
SINGLE STRAND													
SUPER 80H	25.40	15.88	15.88	4.0	24.1	20.8	7.94	18.3	20.9	-	98.1 (10,000)	20.6 (2,100)	3.29
SUPER100H	31.75	19.05	19.05	4.8	30.1	26.0	9.54	21.8	24.5	-	145 (14,800)	32.4 (3,300)	4.88
SUPER120H	38.10	22.23	25.40	5.6	36.2	31.2	11.11	26.95	30.55	-	196 (20,000)	42.2 (4,300)	6.94
SUPER140H	44.45	25.40	25.40	6.4	42.2	36.4	12.71	28.9	33.1	-	255 (26,000)	56.9 (5,800)	8.88
SUPER160H	50.80	28.58	31.75	7.15	48.2	41.6	14.29	33.95	38.45	-	324 (33,000)	73.5 (7,500)	11.72
SUPER200H	63.50	39.68	38.10	9.5	60.3	52.0	19.85	42.9	48.1	-	598 (61,000)	100 (10,200)	19.68
SUPER240H	76.20	47.63	47.63	12.7	72.4	62.4	23.81	54.8	62.3	-	922 (94,000)	139 (14,200)	30.47
DOUBLE STRAND													
SUPER 80H-2	25.40	15.88	15.88	4.0	24.1	20.8	7.94	34.60	37.20	32.6	196 (20,000)	35.0 (3,570)	6.52
SUPER100H-2	31.75	19.05	19.05	4.8	30.1	26.0	9.54	41.40	44.10	39.1	290 (29,600)	55.0 (5,610)	9.51
SUPER120H-2	38.10	22.23	25.40	5.6	36.2	31.2	11.11	51.40	55.00	48.9	392 (40,000)	71.7 (7,310)	13.51
SUPER140H-2	44.45	25.40	25.40	6.4	42.2	36.4	12.71	54.95	59.50	52.2	510 (52,000)	96.7 (9,860)	17.38
SUPER160H-2	50.80	28.58	31.75	7.15	48.2	41.6	14.29	64.90	69.60	61.9	647 (66,000)	125 (12,750)	22.97
SUPER200H-2	63.50	39.68	38.10	9.5	60.3	52.0	19.85	82.05	87.30	78.3	1,200 (122,000)	170 (17,340)	38.48
SUPER240H-2	76.20	47.63	47.63	12.7	72.4	62.4	23.81	105.30	112.90	101.2	1,840 (188,000)	237 (24,140)	59.77
TRIPLE STRAND													
SUPER 80H-3	25.40	15.88	15.88	4.0	24.1	20.8	7.94	50.95	5.55	32.6	294 (30,000)	51.5 (5,250)	9.75
SUPER100H-3	31.75	19.05	19.05	4.8	30.1	26.0	9.54	61.00	63.60	39.1	435 (44,400)	80.9 (8,250)	14.14
SUPER120H-3	38.10	22.23	25.40	5.6	36.2	31.2	11.11	75.85	79.55	48.9	588 (60,000)	105 (10,750)	20.09
SUPER140H-3	44.45	25.40	25.40	6.4	42.2	36.4	12.71	81.15	85.25	52.2	765 (78,000)	142 (14,500)	25.88
SUPER160H-3	50.80	28.58	31.75	7.15	48.2	41.6	14.29	95.95	100.45	61.9	971 (99,000)	184 (18,750)	34.22
SUPER200H-3	63.50	39.68	38.10	9.5	60.3	52.0	19.85	121.25	126.55	78.3	1,790 (183,000)	250 (25,500)	57.29
SUPER240H-3	76.20	47.63	47.63	12.7	72.4	62.4	23.81	156.05	163.55	101.2	2,770 (282,000)	348 (35,500)	89.09

- Notes:
1. Offset links are not available.
 2. Riveted type chain will be provided unless otherwise specified. Roll pin type chain will be provided upon request.
 3. Semi press-fit type connecting links will be supplied.